

## Simple Moments. Celebrated.

ShoreStation Pontoon Lifts have been updated to fit today's larger, heavier pontoons. In addition to the new sizes and better fit, these lifts have the same great quality as our standard line. Offering greater support with three cradle options to choose from. Available in 3,000 lb. to 10,000 lb. capacity vertical lifts.

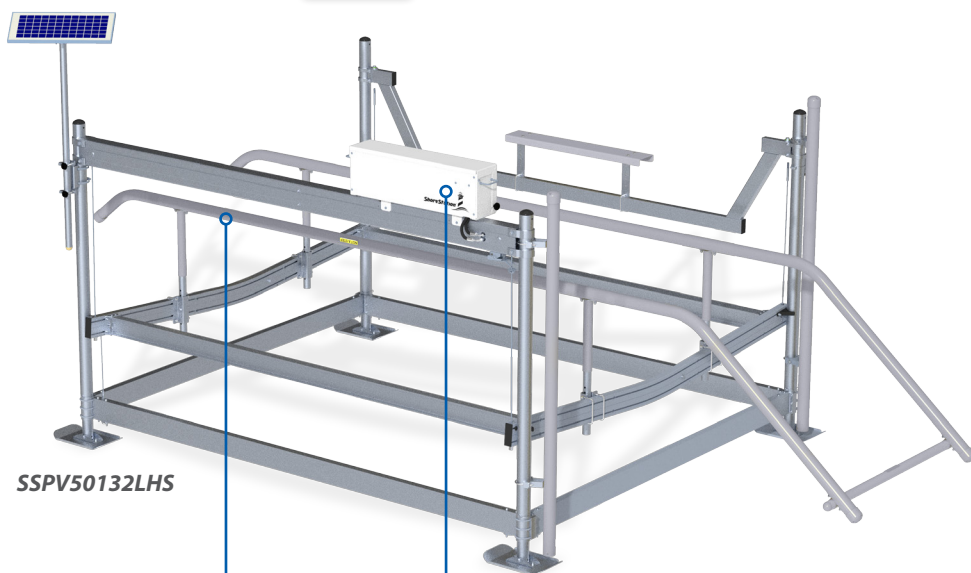


### 3 Safe Options to Land & Lift your Pontoon

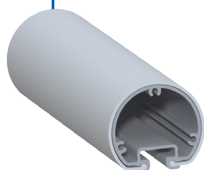
SEE THE  
PONTON LIFT  
IN ACTION



Choose your style, view more options,  
[ShoreStation.com](http://ShoreStation.com).

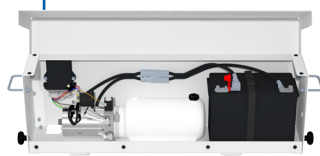


SSPV50132LHS



#### GLIDERAIL/GLIDEPOLE CONSTRUCTION

Quickly adjusts for various boat hulls and water depths with the NEW t-slot design. The durable aluminum core with non-marring UV stable poly sheath are sure to protect your boat while absorbing repeated shocks.

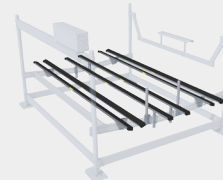


#### HYDRAULIC POWER PACK

The corrosion free powder-painted aluminum box protects the hydraulic pump and battery from the elements. Featuring a hinged lid for easy access, it mounts securely on the lift tube or can be placed on the dock with optional hydraulic hose extension kits.

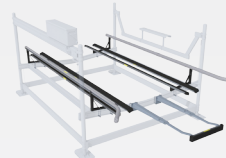


LIFTS ARE AVAILABLE IN  
HYDRAULIC AND MANUAL.



#### PONTON/TRITOON DOUBLE BUNK OPTIONS

Available with 2 or 3 tube supports that adjust to fit any pontoon. The premium poly-aluminum UltraBunks are often combined with under-deck post load guides to reduce lift width requirements.



#### PONTON LOG RACK

The double UltraBunks and full length GlideRail load guides cradle and channel the outer "logs" perfectly every time. The unique kit is designed to work well on both tritoons and standard pontoons with tubes up to 29".



#### TOONRAIL

The 3-in-1 under-deck lift support with integrated motor stop and load guides is economical and maintenance free. The contoured poly-covered tubes both guide the pontoon into the lift and support it by simply lifting under the deck inside the outer tubes.